



Lumana LD800

Dome Camera

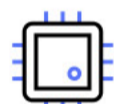
8MP, Indoor/Outdoor



8MP image sensor delivers sharp 4K, 3840 x 2160 video resolution



30m / 98ft infrared illuminators for greater nighttime visibility



Real-time AI processing and minimal bandwidth impact (~100 Kbps)



Ready for any environment with IP67 weatherproof and IK10 vandal-resistance

Lumana hybrid-cloud architecture



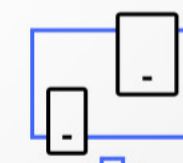
Any IP camera



Lumana Core



Lumana Cloud



Remote access

Camera agnostic

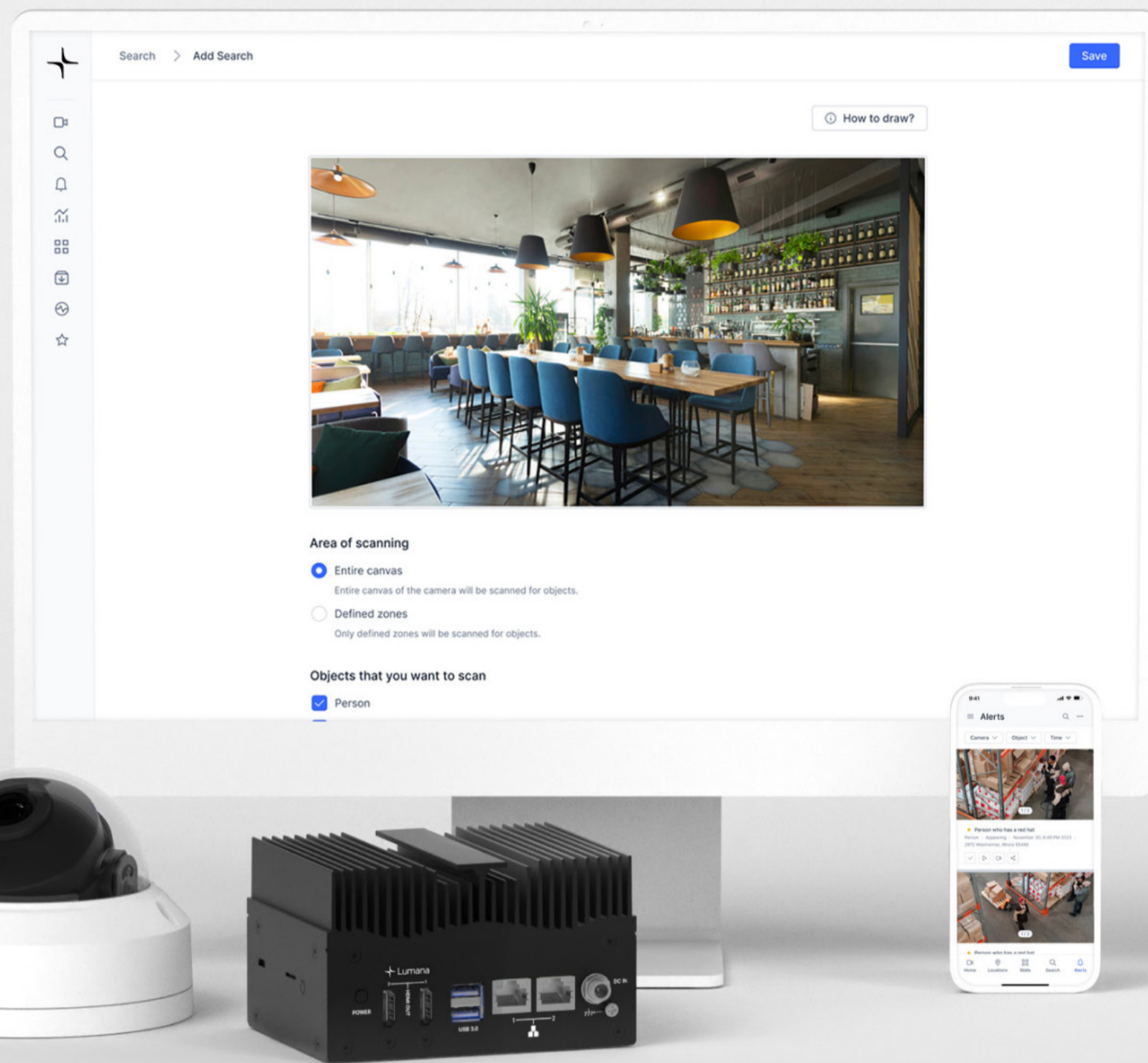
Open platform provides powerful AI analytics to any security camera for greater situational awareness and operational efficiency.

Actionable intelligence

Self-learning AI adapts to your environment to predict anomalies and trigger automatic alerts for more proactive response.

Infinitely scalable

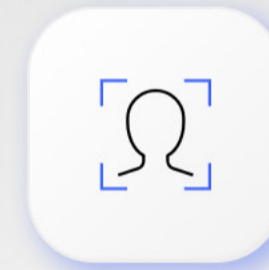
Manage unlimited cameras and users from one platform and utilize AI to empower your team to do more with fewer resources.



Modern system management

Designed for easy deployment and enhanced reliability, Lumana delivers the best from on-premise and cloud solutions for a modern and refined security experience.

- Centralized management and secure remote access
- Plug-and-play setup — integrate visual AI in minutes
- Automatic updates and system health monitoring



Next-generation AI features

Patented AI and machine learning algorithms empower your team to operate more efficiently by delivering unparalleled visibility and new business insights at scale.

- Receive real-time alerts for immediate response
- Find people or vehicles of interest in seconds
- New AI features and system upgrades at no cost



Secure by default

From camera endpoint to application security, Lumana features enterprise cybersecurity protocols to provide powerful AI video security built with data privacy in mind.

- End-to-end encryption for data at rest and in transit
 - No port forwarding or inbound network traffic
 - Automatic security updates and routine pen tests



Built for enterprise deployments

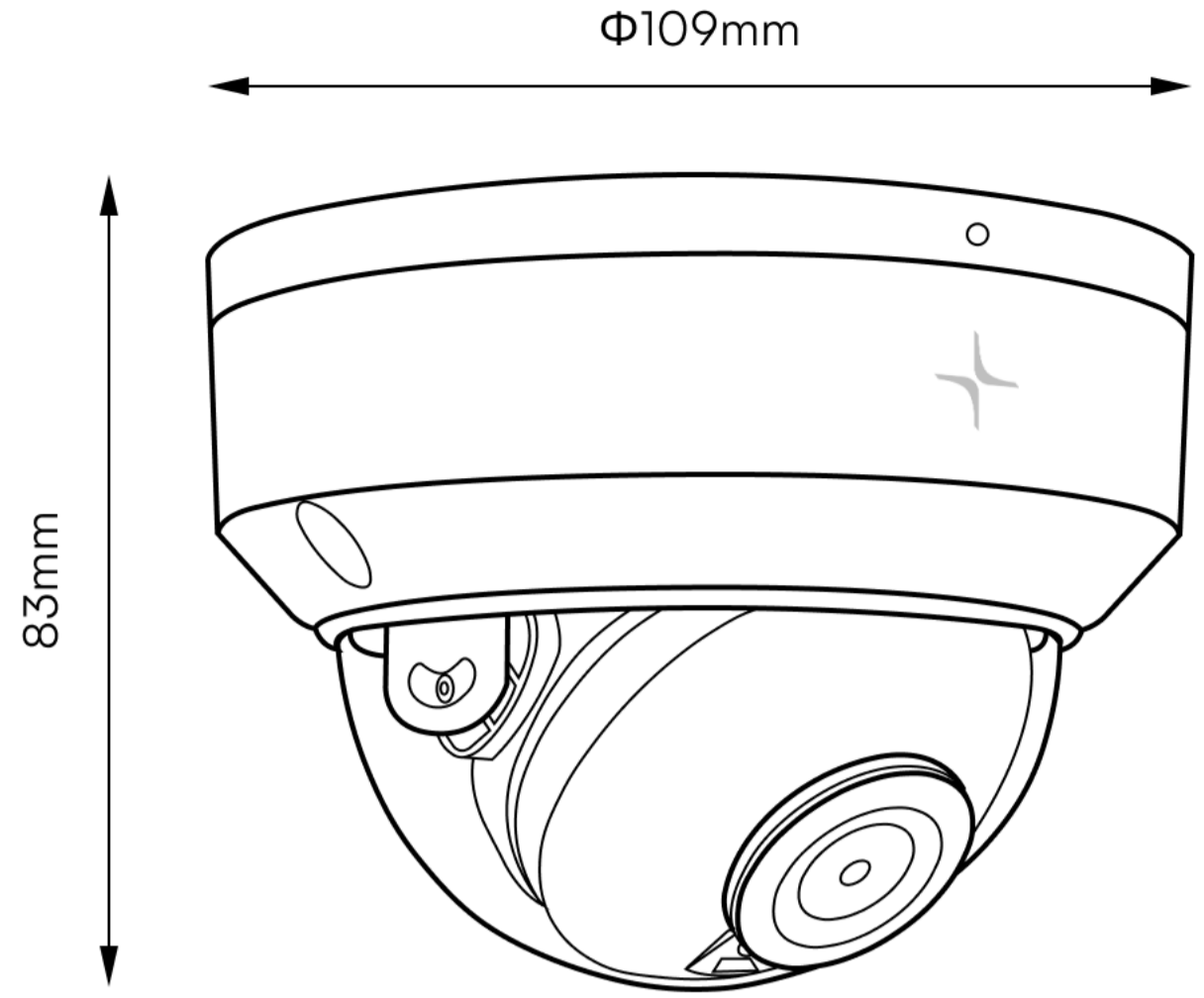
Whether you have 50 or 500 cameras, Lumana simplifies security with modern video management and proactive AI to help you focus on what matters most.

- Easy-to-use software accessible from web or mobile app
- Real-time AI to help users operate 10x more efficiently
- Distributed architecture for better performance and cost

Lumana LD800

Dome Camera

8MP, Indoor/Outdoor



Camera Features

| | | | |
|--------------------------|---|------------------------|--|
| Image sensor | 1/2.7", 8.0 megapixel, progressive scan, CMOS | Field of view | H: 112.9° V: 59.1° D: 121.2° |
| Sensor resolution | 3840 x 2160px | Sensor movement | Pan: 3° ~ 360° Tilt: 0° ~ 68° Rotate: 10° ~ 360° |
| Lens type | Fixed-focal | Shutter speed | 1 ~ 1/1000000s |
| Focal length | 2.8mm | Day/Night | IR-cut filter with auto switch (ICR) |
| Aperture | F1.6 | IR range | Up to 30m (98ft) |
| Iris | N/A | WDR | 120dB |

Standard Video Settings

| | | | |
|---------------------------|--------------------------------|----------------------------------|--|
| Compression | Ultra 265, H.265, H.264, MJPEG | Historical video settings | Dynamic Storage* |
| Frame rate | Max 30fps / Min 20fps | White balance | Auto/Outdoor/Fine Tune/ Sodium Lamp/Locked/Auto2 |
| Bitrate | 128 Kbps~16 Mbps | Digital noise reduction | 2D/3D DNR |
| 9:16 corridor mode | Supported | Flip | Normal/Vertical/ Horizontal/180°/90°Clockwise/ 90°Anti-clockwise |

Standard Audio Settings

| | | | |
|--------------|-----------|------------------|---------------------|
| Audio | Supported | Interface | Built in microphone |
|--------------|-----------|------------------|---------------------|

Power and Network

| | | | |
|--------------------|--------------------------------|------------------|---|
| Power input | DC 12V±25%, PoE (IEEE 802.3af) | Protocols | IPv4, IGMP, ICMP, ARP, TCP, UDP, DHCP, RTP, RTSP, RTCP, RTMP, DNS, DDNS, NTP, FTP, UPnP, HTTP, HTTPS, SMTP, SSL/TLS, 802.1x, SNMP |
|--------------------|--------------------------------|------------------|---|

| | | | |
|--------------------------|----------|-------------------------------|------------|
| Power consumption | Max 4.5W | Compatible integration | ONVIF, API |
|--------------------------|----------|-------------------------------|------------|

| | |
|---------------------|---|
| Connectivity | 1 x RJ45 10M/100M Base-TX Ethernet 1 x Ø 5.5mm coaxial power plug (optional, in case PoE isnt supported) |
|---------------------|---|

Mechanical

| | | | |
|-------------------|----------------------------|---------------|-----------------|
| Dimensions | Φ109 x 83mm (Ø4.3" x 3.3") | Weight | 0.37kg (0.82lb) |
|-------------------|----------------------------|---------------|-----------------|

| | |
|-------------|-----------------|
| Body | Metal + Plastic |
|-------------|-----------------|

Environmental

| | | | |
|------------------------------|------------------------------|-----------------|--------------------------|
| Operating temperature | -30°C ~ 60°C (-22°F ~ 140°F) | Humidity | ≤95% RH (non-condensing) |
|------------------------------|------------------------------|-----------------|--------------------------|

| | | | |
|---------------------------|------|--------------------------|------|
| Ingress protection | IP67 | Vandal resistance | IK10 |
|---------------------------|------|--------------------------|------|

Ownership

| | | | |
|-----------------|------------|----------------|-------------------------|
| Warranty | Lifetime** | Support | 24/7 U.S. based support |
|-----------------|------------|----------------|-------------------------|

| | |
|-----------------------|---|
| Certifications | NDAA, FCC Part 15, EN 60950-1, UL60950-1, IEC 60950-1 |
|-----------------------|---|

*All Lumana cameras store footage dynamically on the Lumana Core based on activity. A combination of standard-quality and high-quality images and videos is captured to ensure optimal footage during critical events.

**Must remain a customer to qualify for lifetime warranty