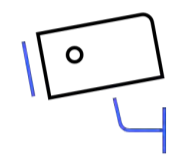


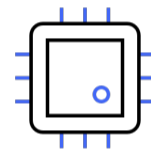
Lumana Core



Hybrid-cloud video security system with simple deployment and real-time edge processing



Optimizes existing camera infrastructure and brings visual intelligence to any workspace or environment



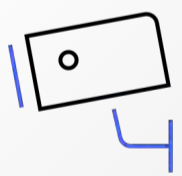
Best-in-class, auto-learning AI algorithms tailored to your unique environment



Secure by default with enterprise-grade encryption and cybersecurity protocols



Lumana open, hybrid-cloud architecture



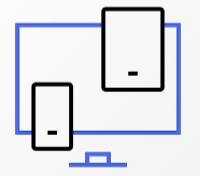
Any IP camera



Lumana Core



Lumana Cloud



Remote access

Camera agnostic

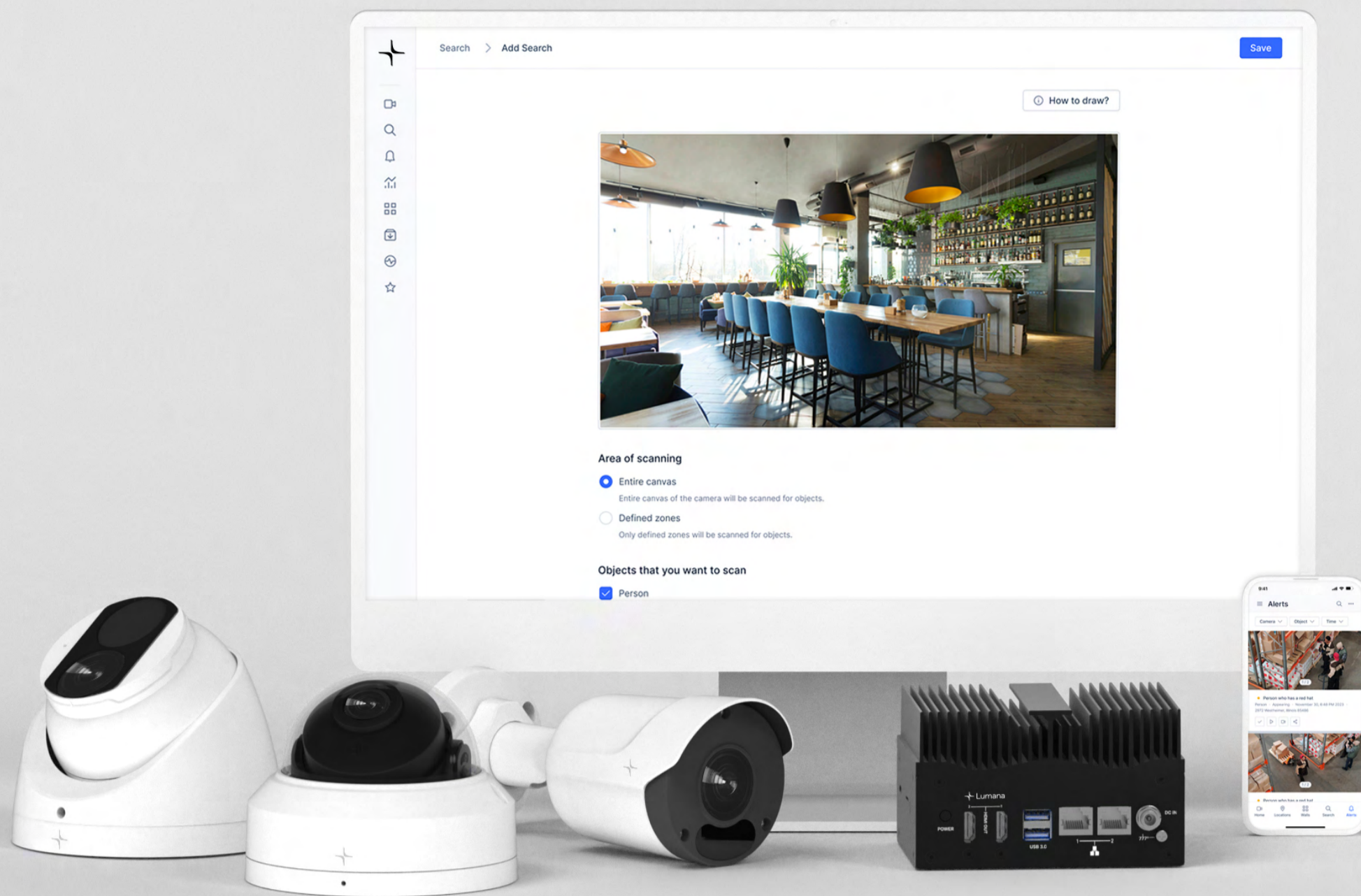
Open platform provides powerful AI analytics to any security camera for greater situational awareness and operational efficiency.

Actionable intelligence

Generative AI adapts to your environment, predicts anomalies, and triggers automatic alerts and responses for proactive security management.

Infinitely scalable

Easily manage unlimited cameras, locations, and users from one platform and utilize AI to empower your team to do more with fewer resources.



Modern system management

Designed for easy deployment and enhanced reliability, Lumana delivers the best from on-premise and cloud solutions for a modern and refined security experience.

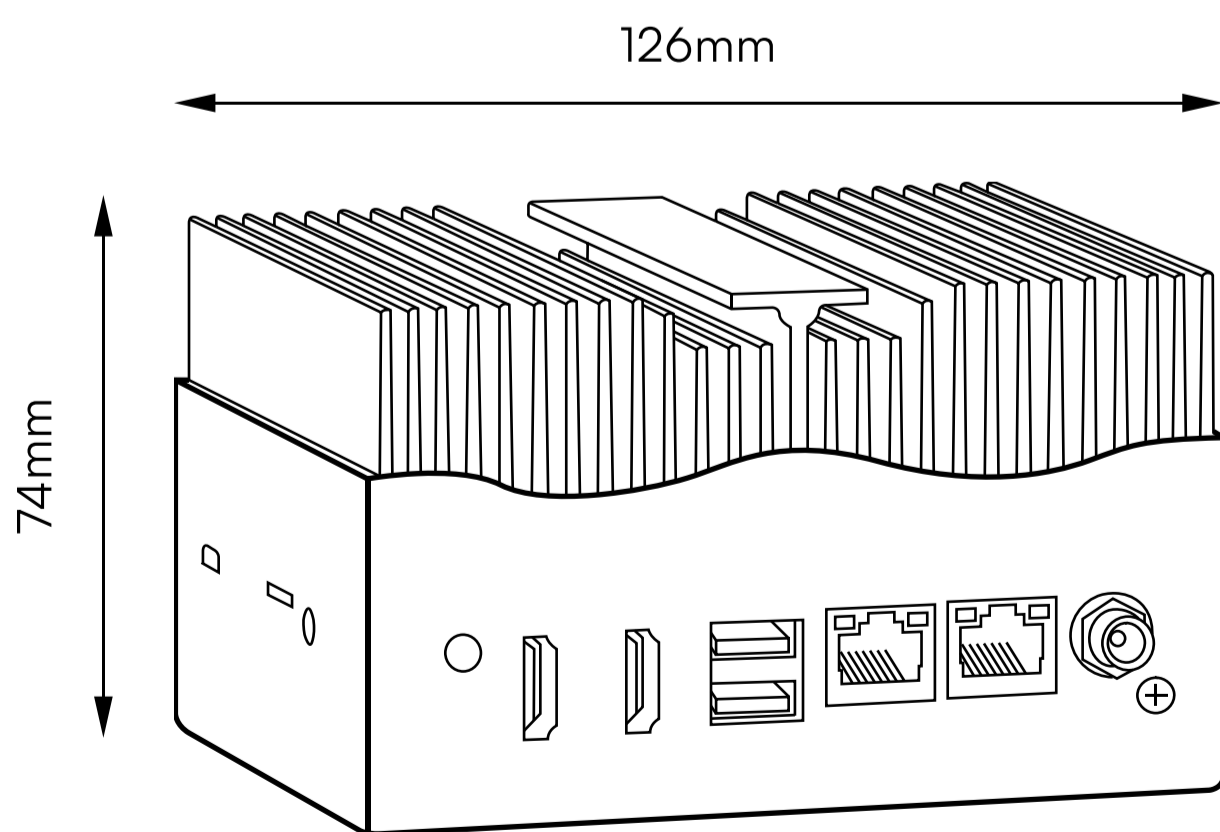
- Centralized management and secure remote access
- Plug-and-play setup — integrate visual AI in minutes
- Automatic updates and system health monitoring



Next-generation AI features

Patented AI and machine learning algorithms empower your team to operate more efficiently by delivering unparalleled visibility and new business insights at scale.

- Receive real-time alerts for immediate response
- Find people or vehicles of interest in seconds
- New AI features and system upgrades at no cost



Dimensions

126 x 96 x 74mm (5.0" x 3.8" x 2.9")

Weight

1.1kg (2.42 lbs)

Operating temperature

-25°C ~ 60°C (-13°F ~ 140°F)

Humidity

40°C @ ≤95% RH (non-condensing)

Certifications

NDAA, CE, FCC

Warranty

Lifetime*

Support

24/7 U.S. Based Support

General

Supported resolutions Up to 12MP (4000x3000)

Storage

Industrial-grade SSD

AI processing Real-time

Storage capability

Up to 90 days local
Up to 365 days in cloud

System

Software Lumana VMS+

Offline operation

Full operation and recording

Compression H.265, H.264

Automatic updates

Yes

Bandwidth Steady-state: 100Kbps per camera

Input power

100v/240v (50-60Hz)

Networking 2x GbE RJ-45

Expansion header

GPIO, I2C, UART

*Must remain a customer to qualify for lifetime warranty